
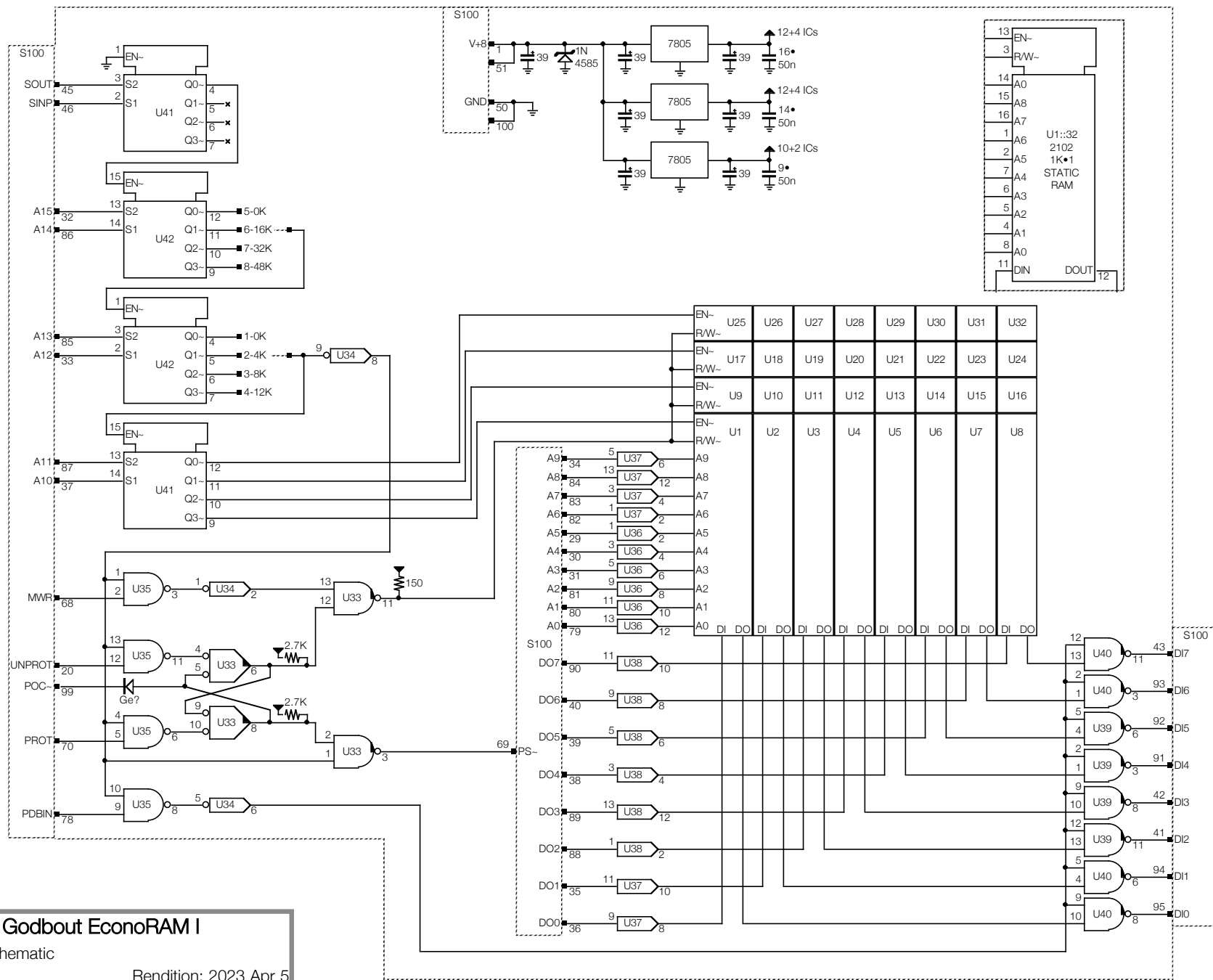


# Godbout EconoRAM I 4K S100 Static RAM

## Schematic

### NOTES

- The symbol  represents a connector pin. The solid black end is the male side, the white-filled end is the female side.  
Connector pins are identified by a label of the form:  
N <connector> . <pin>
- A small black marker on the upper half of a gate symbol indicates an open-collector output.
- Capacitance in microfarads unless otherwise noted.
- Based on period schematic.
- 2022 Nov: This drawing / bhilpert.



# Godbout EconoRAM I

Section: Schematic

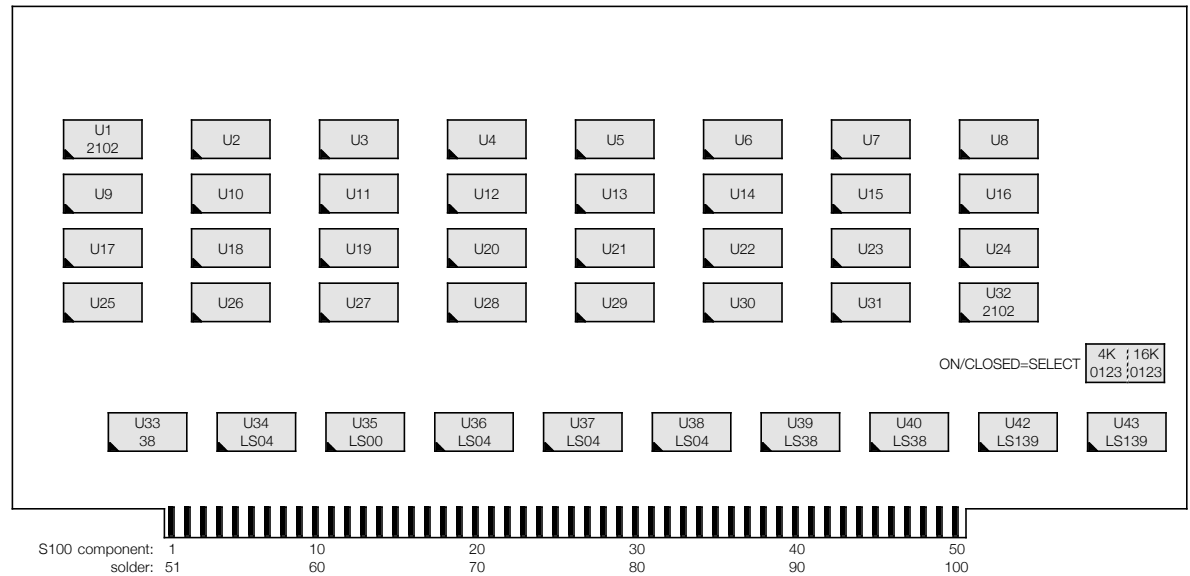
Page: 2

Rendition: 2023 Apr 5

Ux	Type	a	b	c	d	e	f
1::32	2102	√					
33	7438	√	√	√	√		
34	74LS04	√	u	√	√	u	u
35	74LS00	√	√	√	√		
36	74LS04	√	√	√	√	√	√
37	74LS04	√	√	√	√	√	√
38	74LS04	√	√	√	√	√	√
39	74LS38	√	√	√	√		
40	74LS38	√	√	√	√		
41	74LS139	√	√				
42	74LS139	√	√				

Total ICs: 42

Type	Qty	Pins	V+5	GND
2102	32	16	10	9
74LS00	1	14	14	7
74LS04	4	14	14	7
7438	1	14	14	7
74LS38	2	14	14	7
74LS139	2	16	16	8
Total:	42			



#### ADDRESS SWITCHES

- The four 16K switches select 1-of-4 16K blocks, in incrementing order.
- The four 4K switches select 1-of-4 4K blocks within the selected 16K block, in incrementing order.
- No more than one switch in each set of 4 should be ON/CLOSED.

## Godbout EconoRAM I

Section: Layout & IC Types

Page: 3

Rendition: 2023 Apr 5