


# VAMP Exterminator S100 Extender & Terminator Schematic

## NOTES

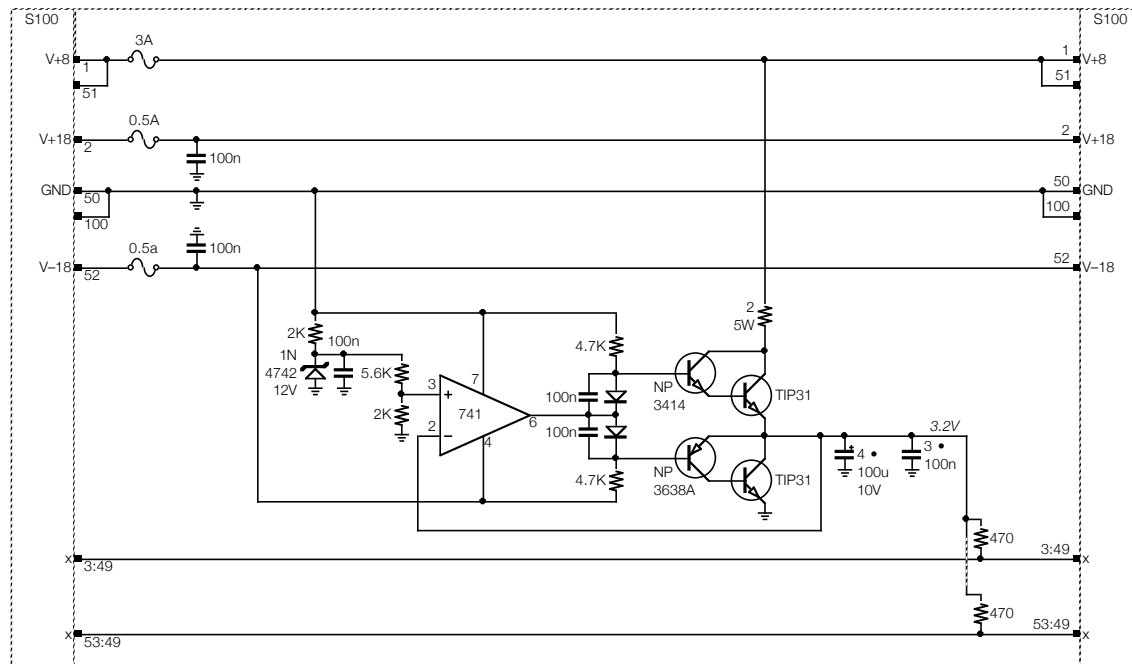
- The symbol  represents a connector pin. The solid black end is the male side, the white-filled end is the female side.  
Connector pins are identified by a label of the form:  
N <connector> . <pin>
- Based on observation of board.
- 1978 date codes on components.
- 2022 Dec: This drawing / bhilpert.

## VAMP Exterminator

Section: Title & Notes

Page: 1

Rendition: 2023 Apr 5



## VAMP Exterminator

Section: Schematic

Page: 2

Rendition: 2023 Apr 5