

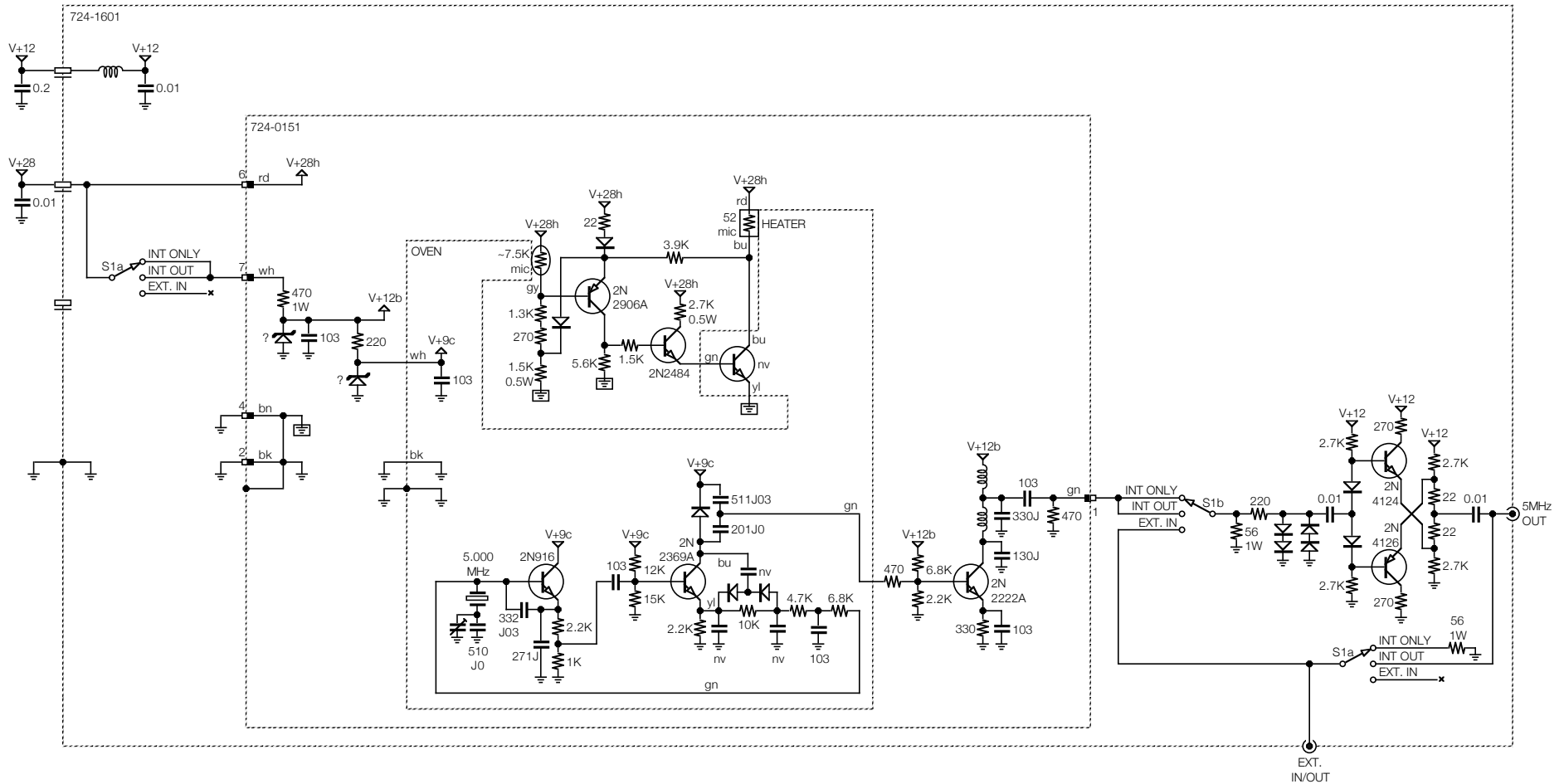
### Notes

- Preselector based on reverse engineering of module from Unit 2621. Amplifier and gain control are different from schematic presented in 1981 manual. Tuning as shown here is copied from 1981 manual.
- Capacitance in microfarads unless otherwise indicated.
- 2019 Jul: Initial drawing / bhlpert.

## Harris RF-505A Receiver

Section: Preselector  
Page: 1

Rendition: 2019 Aug 29



**Notes**

- Based on reverse engineering of module from Unit 2621.  
Model 9COXO-102MOD  
Part No. 724-0151  
This type is used in the high-stability (1/10<sup>8</sup>) option 724-1601.
- Current from +28V supply is ~0.65A initially,  
stabilizing at ~0.25A @ 20C ambient.
- Capacitance in microfarads unless otherwise indicated.
- 2019 Aug; Initial drawing / bhlpert.

**Harris RF-505A  
Receiver**

Section: 5MHz Crystal Reference 724-1601,724-0151  
Page: 1 Rendition: 2019 Aug 29