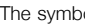


Sanyo 14-EZG Colour Monitor Schematic

Contents	
Section	Page
Title & Notes (this page)	1
Power Supply	2
Video, CRT, Flyback	3
Sync & Deflection	4

NOTES

- This schematic is based on a reverse engineering of one unit.
- Unit is labeled as manufactured in 1981 Jul.
- Internal connections between portions of U401 (LA1464) not shown.
- The symbol  represents a connector pin. The solid black end is the male side, the white-filled end is the female side.
- Capacitance in microfarads unless otherwise noted.

LOG

- 2016 Apr: Initial drawing / bhilpert.

Sanyo 14-EZG Colour Monitor

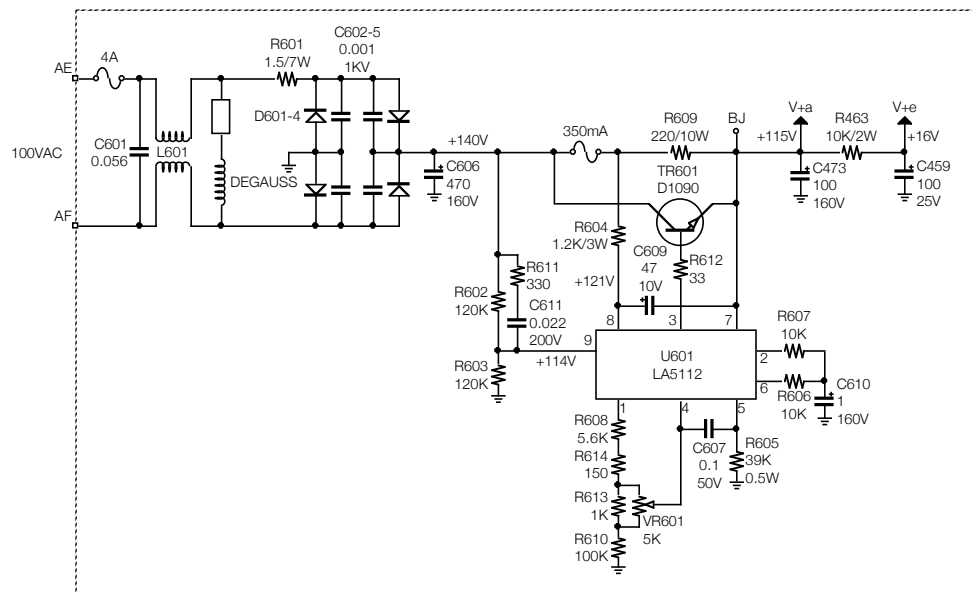
Section: Title & Notes

Page: 1 Rendition: 2016 Apr 17

NOTE

This schematic has been derived through examination of the equipment.
This is not the manufacturer's schematic.

bhilpert / 2016



Sanyo 14-EZG Colour Monitor

Section: Power Supply

Page: 2

Rendition: 2016 Apr 17

