

Tyrotek Analog Computer

○ Plugboard Receptacle

Notes

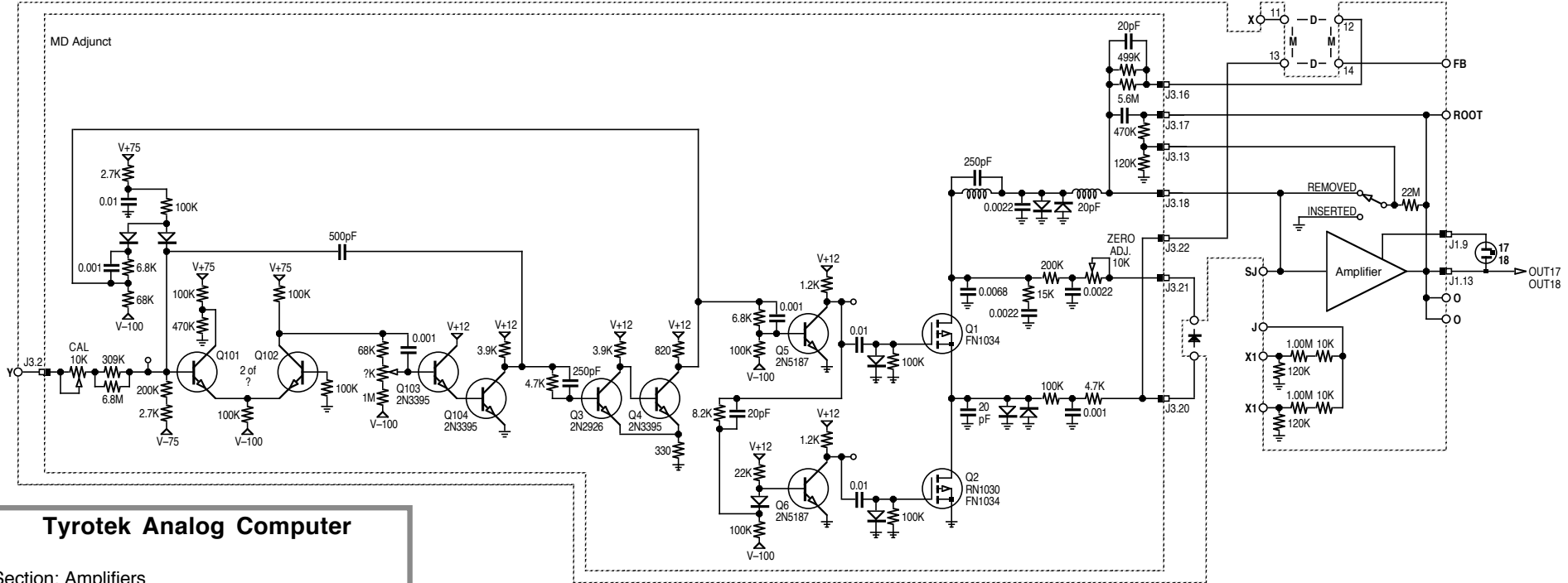
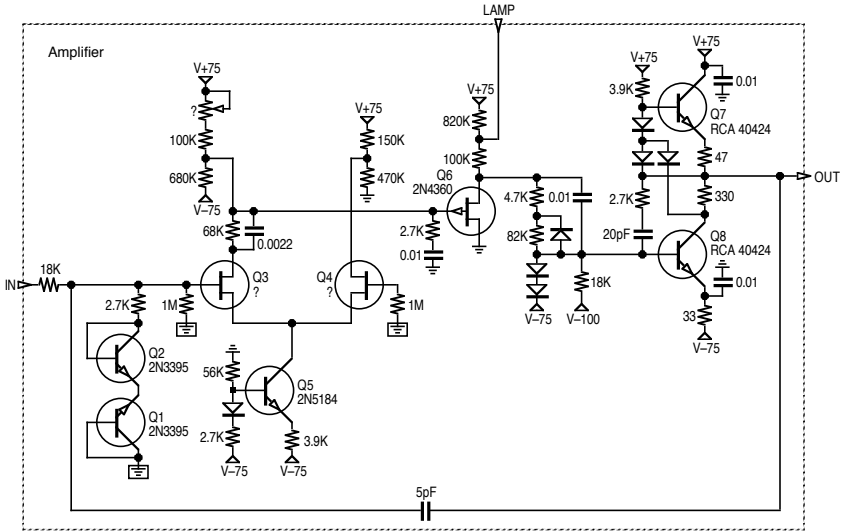
- Capacitance in microfarads unless otherwise indicated.
- This drawing is based on a reverse engineering of the unit. No serial number was present on the main unit. Modules have serial numbers in the range 104 to 109.
- Latest observed component date code is 6734.

Log

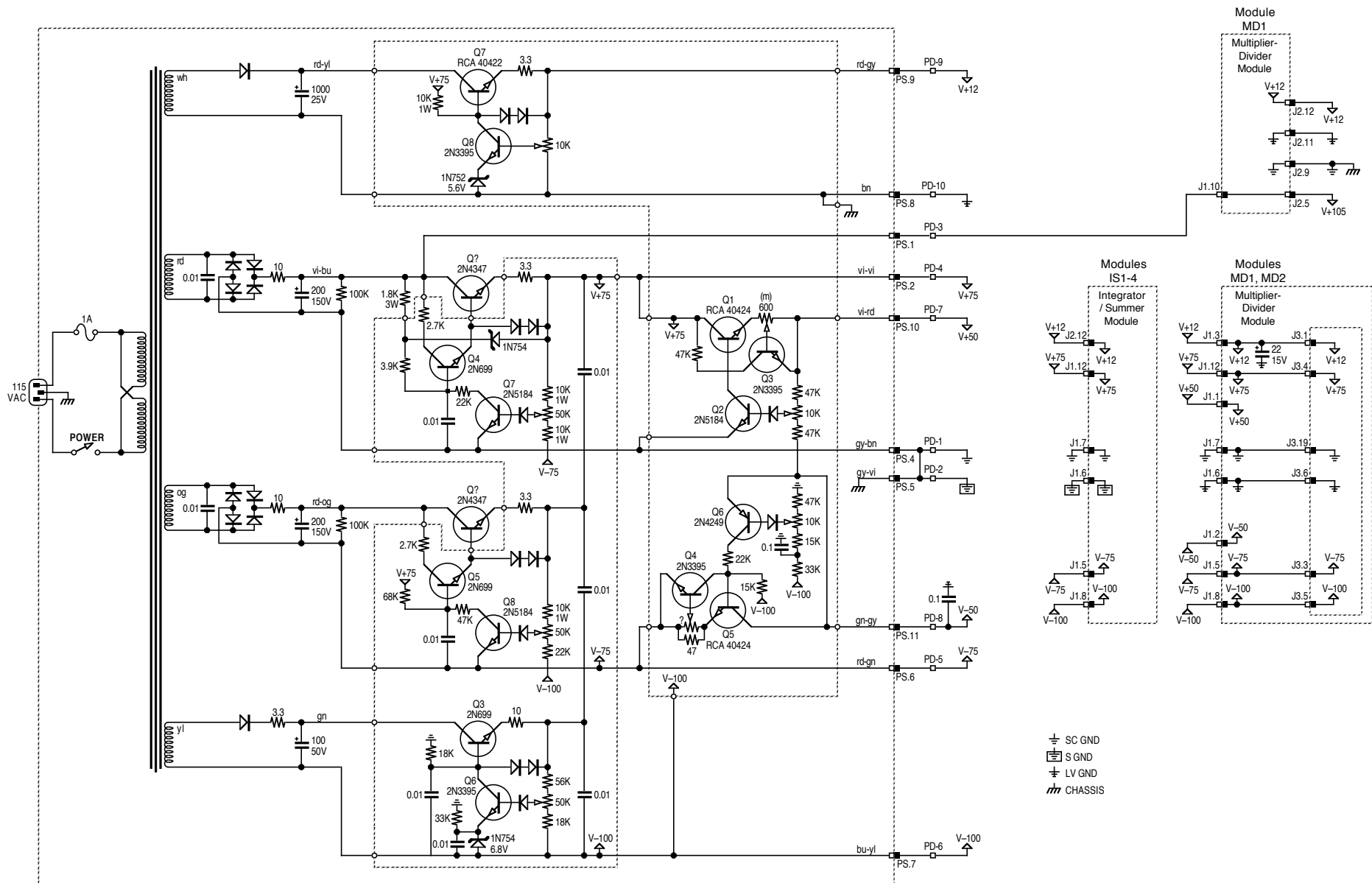
- 2009 Jan: Initial drawing / bhilpert.
- 2018 Feb: Minor revisions / bh.

FN1034:

P-Channel Enhancement MOSFET
 Raytheon Electronics
 $V(BR)_{DSS} (V) = 15$
 $V(BR)_{GSS} (V) = 12$
 Absolute Max. Power Diss. (W) = 300m
 $@(V_{DS}) (V) (Test\ Condition) = 12$
 $I(GSS)_{Max.} (A) = .10n$
 $r(DS)_{on} (Ohms) = .50k$
 $C(iss)_{Max.} (F) = 2.0p$
 Package = TO-18var
 (from datasheetarchive.com)



Tyrotek Analog Computer



Tyrotek Analog Computer